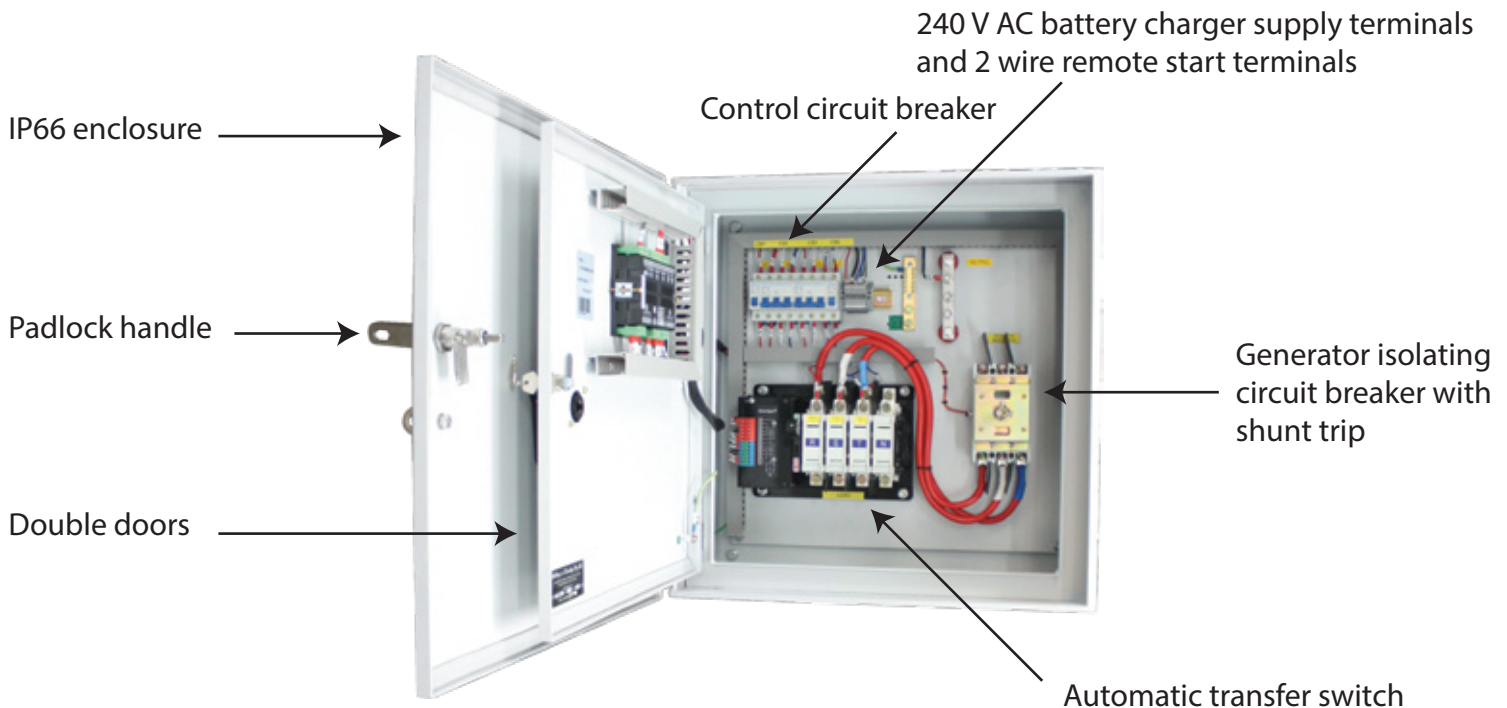
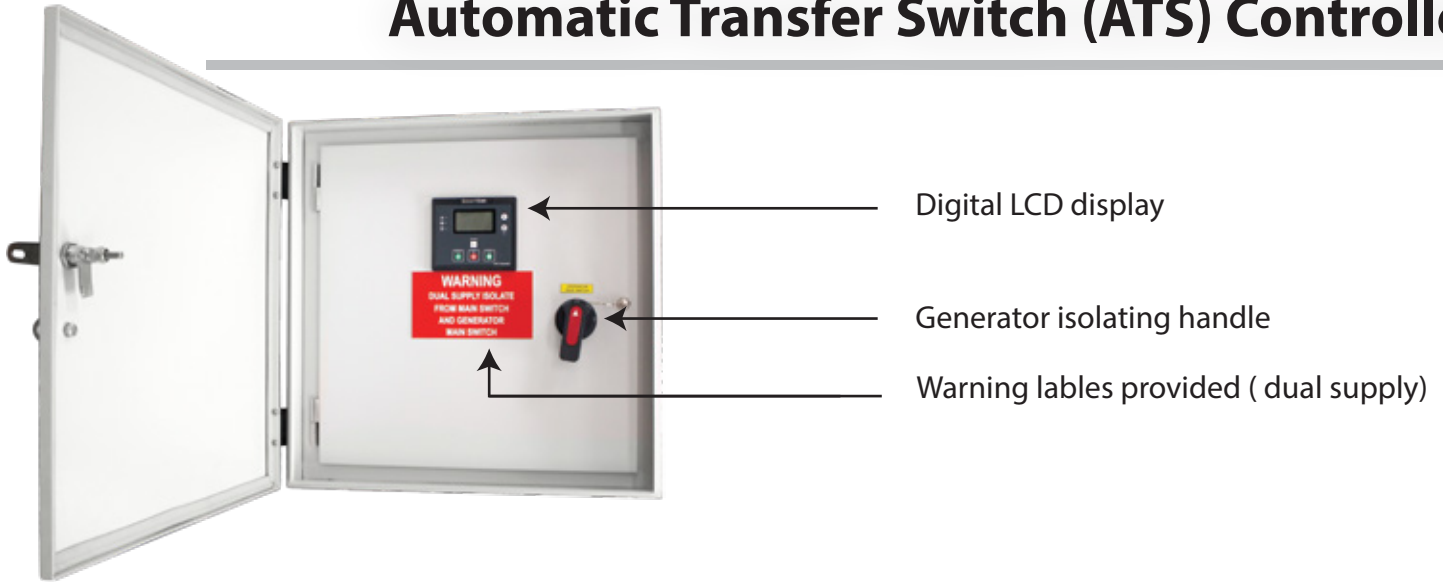


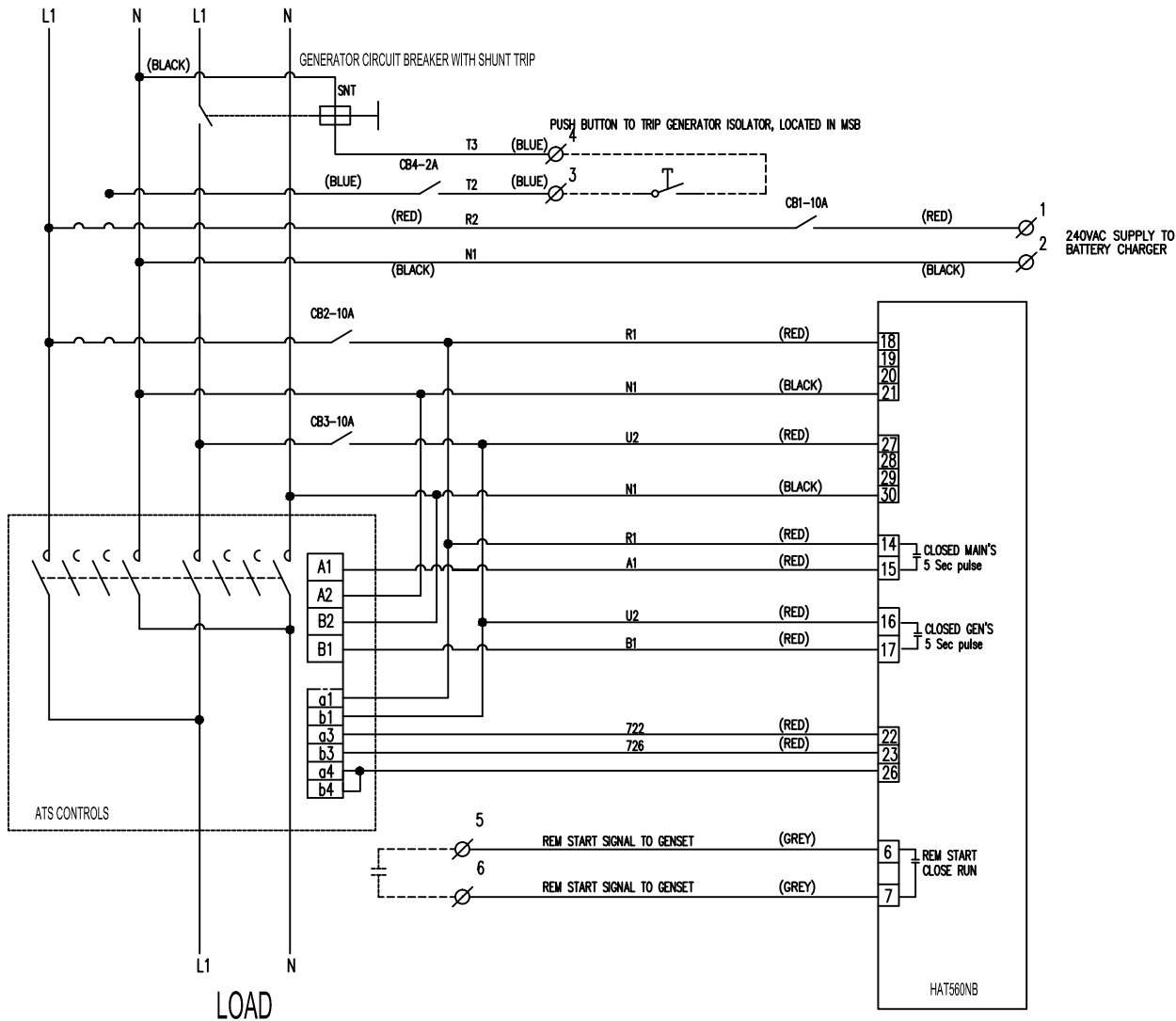
Automatic Transfer Switch (ATS) Controller



AUTOMATIC TRANSFER SWITCH

MAINS SUPPLY 240VAC

GENS SUPPLY 240VAC



TERMINATION

1. ACTIVE 240AC BATTERY CHARGER
2. NEUTRAL 240VAC BATTERY CHARGER
3. GENERATOR TRIP PUSH BUTTON
4. GENERATOR TRIP PUSH BUTTON
5. GEN REMOTE START
6. GEN REMOTE START

WIRE COLOUR CODE

ALL 240VAC SUPPLY MUST BE AS FOLLOWS

L1 - RED
N - BLACK

240VAC CONTROL

L1 - RED
N - BLACK

DRY CONTACTS
GREY

CABLE WIRE SIZE 1.5MM SQ

CONSULTANT PROJECT No.	REF. DRAWING No.	REFERENCE DRAWINGS	REV.	DESCRIPTION	DATE	DESIGNED	DRAWN	ENG. CK	DWG. CK	APPD	CLIENT
			A	AS INSTALLED	31.05.17	SB	SB	S.B.	S.B.	S.B.	

W&C
WELLING & CROSSLEY PTY LTD
59 EXPORT DRIVE BROOKLYN VIC. 3012
042 CANLEY VALE RD. WETHERSILL, PR. NSW 21164
UNIT 5/235 CAMBOON RD MALAGA WA 6090
2/55 CHRISTENSEN RD STAPLETON QLD 4207
UNIT 13/547 INDUSTRIAL PARK
547-593 WOOLCOCK ST, MT LOUISA QLD

EMAIL: wellcross@wellcross.com.au

LEGEND	DATE	DRAWING TITLE
DESIGNED	31.05.17	ATS CONTROLLER 1 PHASE ELECTRICAL SCHEMATIC WITH PUSH BUTTON SHUNT TRIP 240VAC HAT560NB
DRAWN	31.05.17	
CHECKED	31.05.17	
APPROVED	31.05.17	
SCALE	NO SCALE	
ETD/ID		

SHEET SIZE A3 DRAWING No. 170321A REVISION A

